

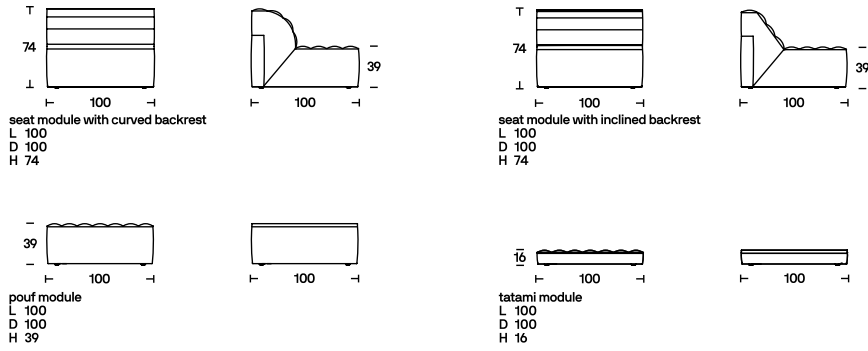


Free System

Year	1973 - 2023
Designer	Claudio Salocchi

In 1973, Claudio Salocchi designed *Free System*: a system of padded furniture deriving from the concept of “operated flooring”, or tatami, where the padded units could be placed freely side by side. With its completely modular and sectional elements and from the perspective of an optimal use of space, we can view *Free System* sofa as the embodiment of the modern house utopia. A programme of padded furniture that goes beyond the sofa model, *Free System* presents a series of elements (tatami, hassock and seat with different and interchangeable backrests) that make up a modular system that can be arranged in a variety of combinations.

Dimensions



Finishes

Upholstered furniture system with modular elements on a supporting structure of solid wood and plywood, base with elastic straps, feet and concealed coupling system. Padding in single-density polyurethane foam and polyester wadding. The upholstery on seats and back is quilted to enhance softness and increase seating comfort thanks to shaped polyurethane rubber inserts. The sofa is completely upholstered with removable covers. The coupling system uses special plastic clips.

Coating

- Maia | cat. B
- Todi | cat. B
- Anima | cat. C
- Anouk | cat. C
- Garc | cat. C
- Noah | cat. C
- Taiga | cat. C
- Dune | cat. D
- Paradise | cat. E
- Parigi | cat. F
- Savanna | cat. F
- Keiga | cat. G
- Moss | cat. G
- Anilina
- Nabuk
- Nuvola
- Leather

Discover all product finishes